

# DATASHEET

## WIRELESS MANUAL CALL POINT - TYPE B

TAURUS   
By Hyfire

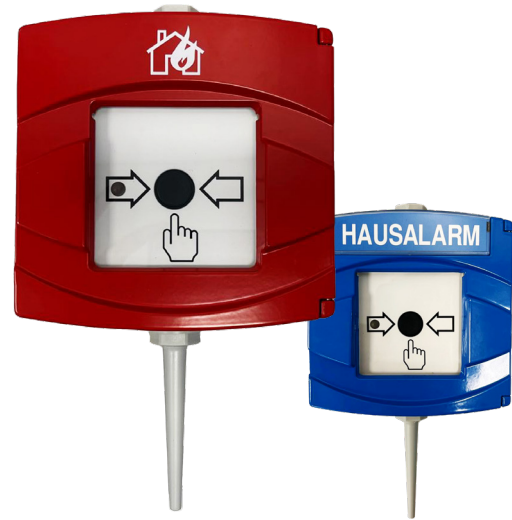
### RED VARIANTS:

TAU-CP-RB-01  
TAU- CPW-RB-01 (WATERPROOF)

### BLUE VARIANTS:

TAU-CP-RB-01/B  
TAU- CPW-RB-01/B (WATERPROOF)

The Taurus Wireless Manual Call Point (MCP) is a fully intelligent device which is compatible with all Taurus Translator and Expander Modules. A key is supplied with the MCP for reset and case opening. The product is powered by two lithium CR123A batteries with a typical life of 10 years. Waterproof variants are available for use outdoors or in hostile environments.



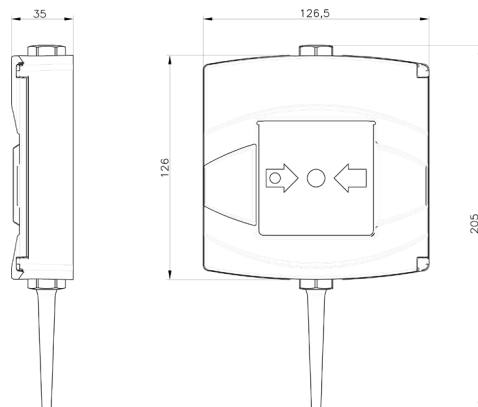
### KEY FEATURES

- Bi-directional wireless communication
- Can be used with Taurus addressable and conventional translators
- 22 pairs of field channels
- Dual channel redundancy
- Long communication range (≈ 1 km in open air)
- 10 year battery life
- Utilises standard low-cost lithium battery technology
- Easy scan&link programming option
- 3rd party approved
- 5 year product warranty

### TECHNICAL SPECIFICATION

Operating frequency range	868 – 870 MHz
Max radiated power	14dBm (25mW)
IP rating	42 (65 IP variant)
Weight (without batteries)	453 g
Batteries	2x CR123A (3 V & 1.2 Ah)
Batteries lifespan (typical)	10 years
Dimensions	205 mm x 126.5 mm x 35 mm
Operating Temperature	-10°C to +55°C
Max humidity (non condensing)	95% RH

### TECHNICAL INFORMATION



### STANDARDS & APPROVALS

- EN 54-11: Manual call points
- EN 54-25: Components using radio links



Hyfire Wireless Fire Solutions Ltd  
Unit B12a, Holly Farm Business Park  
Honiley, Warwickshire CV8 1NP

T: +44 (0)1926 485282  
E: enquires@hyfirewireless.co.uk  
www.hyfirewireless.com

Hyfire   
Orama group