

DATASHEET

HYFIRE TAURUS WALL SOUNDER WIRELESS MODULE + CONVENTIONAL WALL SOUNDER VAD

TAU-MWSO-01 + HFC-SBR-23-03

TAURUS 
By Hyfire

The Taurus Wall Sounder VAD combines the Hyfire Taurus Wall Sounder Module with the Conventional Wall Sounder VAD (each sold separately). The Taurus Wall Sounder VAD is a EN 54-3 (Type B) and EN 54-23 compliant visual/alarm device, equipped with 3 levels of volume adjustment, high output LED beacon, and 32 recognised tones which can be set via the control equipment or locally at the sounder. The wireless wall sounder VAD, once properly connected to a wireless system on a compatible loop, is fully controlled by the panel and benefits from an extensive range of intelligent control, test and monitoring functionality, including sounder synchronisation. Adaptive radio signal processing algorithms ensure the highest levels of life safety and reliability.



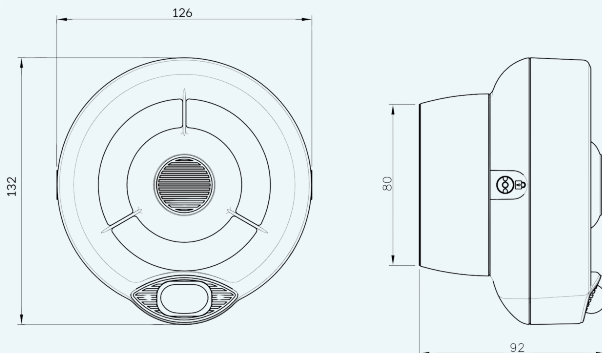
KEY FEATURES

- Bi-directional wireless communication
- 32 tones settings (primary and secondary for alert and evacuation), selectable via onboard dip switches
- On site adjustable volume settings
- Silent sounders setting for beacon only use
- Waterproof certified to IPX5
- 22 pairs of field channels
- Dual channel redundancy
- Long communication range (≈ 1 km in open air)
- 5 year expected battery life including weekly test
- Utilises standard low cost lithium battery technology
- Easy scan & link programming option
- 3rd party approval to EN54-3 (type B) and EN54-23
- 5 year product warranty

TECHNICAL SPECIFICATION

Operating frequency range	868 – 870 MHz
Max radiated power	14dBm (25mW)
Acoustic Frequency range	400-2900 Hz
Maximum acoustic Output	100 dB(A) \pm 3
VAD colour	White
VAD frequency	0.5 Hz
VAD flash coverage	W-2.5-7 (EN 54-23)
IP rating	X5
Primary & Secondary batteries	CR123A (3 V & 1.2 Ah)
Max humidity (non condensing)	95% RH
Operating Temperature	-10°C to +55°C
Weight	380 g
Dimensions	132 x 126 x 92 mm

TECHNICAL INFORMATION



STANDARDS & APPROVALS

- BS EN54-3 (Type B): Fire Alarm Device, Sounders



0051

Johannesburg - Cussonia Park,
3 Ridge Road, Laser Park,
Johannesburg, 2170

T: +27 (0)11 794 9144
E: hyfire@technoswitch.co.za
www.hyfirewireless.com/za

Hyfire 
In Partnership with
TECHNOSWITCH 

DATASHEET

HYFIRE TAURUS WALL SOUNDER WIRELESS MODULE + CONVENTIONAL WALL SOUNDER VAD

TAURUS 
By Hyfire

RELATED PRODUCT

The Hyfire Taurus Wall Sounder Wireless Module (TAU-MWSO-01) is designed for use with the Taurus range of modular wall sounders and beacons.

