

# DATASHEET

## HYFIRE TAURUS

### INPUT MODULE

#### TAU-MI-S-01

TAURUS   
By Hyfire

The TAU-MI-S-01 Hyfire Taurus Input Module has a single fully monitored input circuit which allows simple integration of third party equipment with the fire system. The unit is fully compatible with all the Taurus translator and expander modules and the adaptive radio signal processing algorithms ensure the highest levels of life safety and system reliability.



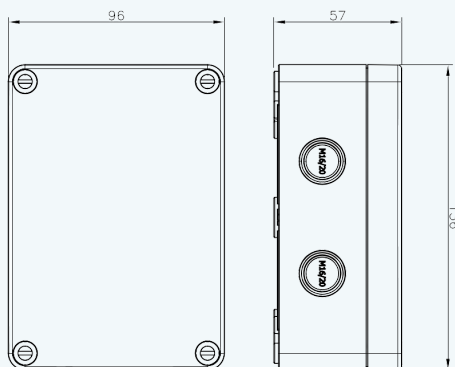
## KEY FEATURES

- Bi-directional wireless communication
- Input circuits are fully supervised for alarm and fault conditions (utilizing eol resistors)
- 22 pairs of field channels
- Dual channel redundancy
- Long communication range ( $\approx 1$  km in open air)
- 10 year battery life
- Utilises dual low cost lithium battery
- Easy scan & link programming option
- 3rd party approval to EN54-18 and EN54-25
- 5 year product warranty

## TECHNICAL SPECIFICATION

Operating frequency range	868 – 870 MHz
Max radiated power	14dBm (25mW)
IP rating	65
Cable entry knockout holes	6 x M16/20
Applicable wire gauge range	0.5 mm <sup>2</sup> to 2.5 mm <sup>2</sup>
Weight (without batteries)	221 g
Batteries	2x CR123A (3 V & 1.2 Ah)
Battery lifespan (typical)	10 years
Dimensions	136 x 96 x 57 mm
Operating Temperature	-10°C to +55°C
Max humidity (non condensing)	95% RH
Alarm Supervision Resistor	5.6K
EOL Supervision Resistor	10K

## TECHNICAL INFORMATION



## STANDARDS & APPROVALS

- BS EN54-18: Input / Output Devices
- BS EN54-25: Components using radio links and system requirements



0051

# DATASHEET

## HYFIRE TAURUS

### INPUT MODULE



#### CONNECTIONS AND CONFIGURATIONS

Electrical scheme for the connection of the input module to the external device which transmits the input signal to the module.

