

# DATASHEET

## INTELLIGENT BASE

HFI-DMBS-05



The HFI-DMBS-05 standard intelligent low profile mounting base has been designed for use with any of the Altair point type intelligent detector range. The base's layout allows plenty of space for cable access and has multiple mounting-hole positions for use with a variety of back boxes. The unit has terminations for loop wiring, remote indicator connection and termination of shield cabling. When no device is fitted into the base, an automatic spring connection maintains loop continuity ready for loop cable testing. Once the device is refitted the spring is displaced allowing the loop isolators to operate.

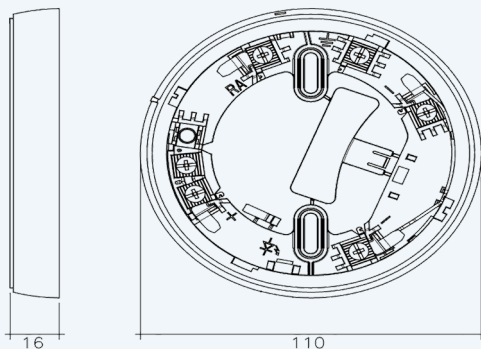


\*For DEVICE COMPATIBILITY see page 2

### KEY FEATURES

- High reliability
- Compatible with all Altair detectors
- Device locking capability
- Easy central cable entry
- Integral device identification tab
- Remote indicator connections
- Built-in continuity spring
- 5 year product warranty

### TECHNICAL INFORMATION



### TECHNICAL SPECIFICATION

Physical dimensions	110mm x 16mm
Temperature Range (no icing)	-10°C to +55°C
Max. humidity (non condensing)	95% RH
Weight (standard base included)	50 g

\*Device operates down to 15Vdc but without LED indication.

### STANDARDS & APPROVALS

