

DATASHEET

CONVENTIONAL WALL SOUNDER (WHITE)

HFC-WSW-03

The HFC-WSW-03 Conventional Wall Sounder forms the core of our modular alarm device range. The unit can either be used as a standalone conventional device or as an intelligent unit by the addition of a wired module (HFI-SIM-01) or wireless module (HFW-SIM-01).

The unit is equipped with 3 levels of volume adjustment and 32 recognised tones which can be set via the control equipment or locally at the sounder.



Note: Also available in red

KEY FEATURES

- Flexible modular design, compatible with Hyfire intelligent & wireless modules
- 5 year product warranty
- 3rd party approval to EN54-3 (Type B)
- 32 Tone Settings
- Two stage alarm capability
- Easy to install
- High sound output capability
- On site adjustable volume settings
- Microphone self test facility
- Robust with high reliability

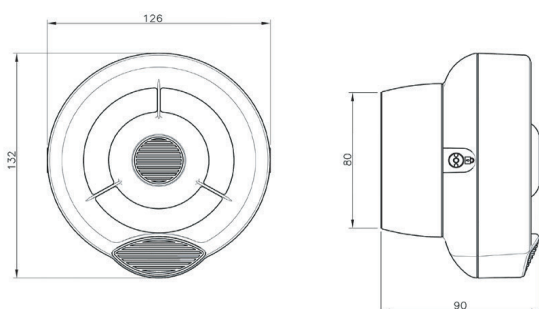
Note: Functionality is dependant on the control equipment and module selection

TECHNICAL SPECIFICATION

Power supply voltage range	15Vdc – 40Vdc
Activated current load (High Vol.)	5–8 mA at 24 Vdc
Acoustic Frequency range	400–2900 Hz
Maximum acoustic Output	100 dB(A) @ 1m
Operating temperature range	-10°C to +55°C (no icing)
Unit weight (inc Back box)	290g
Max humidity (non condensing)	95% RH
Ingress Protection	33C

Note: Certified device performance may vary depending on the approval body

TECHNICAL INFORMATION



STANDARDS & APPROVALS

- BS EN 54-3: Fire Alarm Device, Sounders

